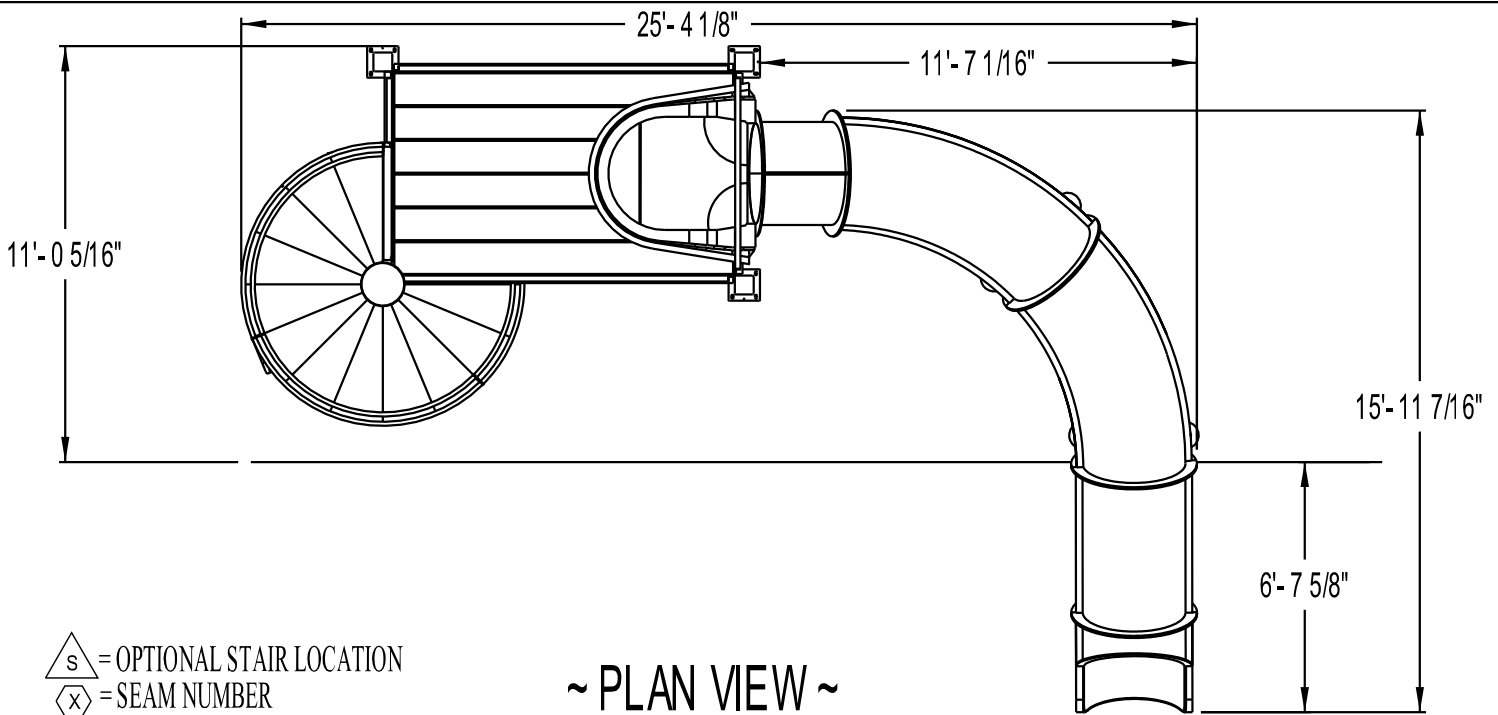


~ ELEVATION VIEW ~



~ PLAN VIEW ~

△<sub>s</sub> = OPTIONAL STAIR LOCATION  
 ⊗<sub>x</sub> = SEAM NUMBER

MODEL: CHEHALEM  
 CENTER LINE RUN: 26' - 1"  
 FLUME RUN: 28' - 5"  
 SIZE OF FLUME: 32" INSIDE DIAMETER FIBERGLASS  
 SLIDE PLATFORM HEIGHT: 14' - 0"  
 SLIDE ENTRANCE HEIGHT: 14' - 0-3/8"  
 STAIR CONFIGURATION: 7" RISE / 11" RUN 36" WIDE SPIRAL  
 WATER DEPTH: 12' MIN  
 WATER RECOMMENDED: 20-40 GPM  
 © 2001 REV 07/07/16

SCALE: 3/16" = 1'

SPACE REQUIREMENT:  
 25' 3-1/4" BY 10' 2"

\* OVERHANG SHOWN  
 IS APPROXIMATE